

Tail Straight – Female Thread

TruDesign Female Thread Tails / Hose barb composite fittings are designed for connecting hoses to male threaded fittings



Note: For above the water line only when directly fitted to a Skin Fitting / Thru Hull. For below water line situations - ISO & ABYC require a TruDesign Ball Valve to be fitted directly to the Skin Fittings / Thru Hull.

TruDesign Tails / Hose Barbs are moulded from a glass reinforced nylon composite. High strength, high-modulus, glass reinforced nylon provides dramatic strength, stiffness, toughness, and dimensional stability.

TruDesign Tails / Hose Barbs eliminate the corrosion and electrical bonding problems associated with metallic fittings. The Tails are designed for twin hose clamps, and to not crush under high load conditions.

Key Features:

- Manufactured from glass-reinforced nylon composite - High strength and light weight
- Immune to corrosion and electrolysis - no concerns over decreased performance due to corrosion
- Chemical resistant - Unaffected by diesel, petrol, or chemicals
- UV resistant - Will not degrade or discolour with ultraviolet light from the sun
- High quality surface finish - Will not discolour with green film as similar bronze fittings do
- BSP and NPS (Parallel) threads - Universal compatibility to TruDesign threaded fittings.
- Large operating temperature range - Suitable for all marine environments, from -40°C to +110°C

Installation:

For thread sealing see TruDesign Technical information sheet on our web site www.trudesignplastics.com - for suitable adhesive sealants and or thread tapes.

The connecting thread type are either BSP or NPS and clearly marked on the side of the fitting along with size. The advantage of parallel threads rather than tapered is that there can be maximum engagement between the mating threads providing a stronger connection. Do not over tighten, simply allow the adhesive sealant to provide the seal and orientation of the fitting. Apply twin hose clamps for a secure hose connection and check tightness regularly.

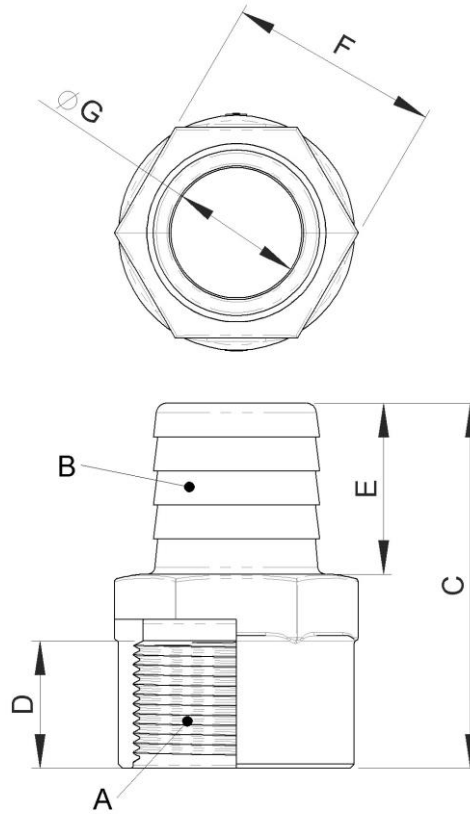
Part Numbers BSP

Part # Black	TAILS STRAIGHT FEMALE THREADED BSP
90953	Tail 19mm ¾" BSP Female Thread
90964	Tail 19mm ¾" BSP Female Thread PKG
90954	Tail 25mm 1" BSP Female Thread
90965	Tail 25mm 1" BSP Female Thread PKG
90955	Tail 32mm 1¼" BSP Female Thread
90966	Tail 32mm 1¼" BSP Female Thread PKG
90956	Tail 38mm 1½" BSP Female Thread
90967	Tail 38mm 1½" BSP Female Thread PKG
90957	Tail 50mm 2" BSP Female Thread
90968	Tail 50mm 2" BSP Female Thread PKG
90960	Tail Unequal 22mm (7/8") ¾" BSP Female Thread
90971	Tail Unequal 22mm (7/8") ¾" BSP Female Thread PKG
90961	Tail Unequal 28mm (1⅛") 1" BSP Female Thread
90972	Tail Unequal 28mm (1⅛") 1" BSP Female Thread PKG
90962	Tail Unequal 38mm (1½") 1¼" BSP Female Thread
90973	Tail Unequal 38mm (1½") 1¼" BSP Female Thread PKG
90963	Tail Unequal 32mm (1¼") 1½" BSP Female Thread
90974	Tail Unequal 32mm (1¼") 1½" BSP Female Thread PKG
91312	Tail Unequal 28mm (1⅜") 1½" BSP Female Thread
91313	Tail Unequal 28mm (1⅜") 1½" BSP Female Thread PKG
90959	Tail Unequal 25mm (1") 1½" BSP Female Thread
90970	Tail Unequal 25mm (1") 1½" BSP Female Thread PKG
90958	Tail Unequal 38mm (1½") 1¾" BSP Female Thread
90969	Tail Unequal 38mm (1½") 1¾" BSP Female Thread PKG

Part Numbers NPS

Part # Black	HOSE BARB FEMALE THREADED NPS
91250	Hose Barb ¾" x ¾" NPS Female Thread
91251	Hose Barb ¾" x ¾" NPS Female Thread PKG
91252	Hose Barb 1" x 1" NPS Female Thread
91253	Hose Barb 1" x 1" NPS Female Thread PKG
91254	Hose Barb 1¼" x 1¼" NPS Female Thread
91259	Hose Barb 1¼" x 1¼" NPS Female Thread PKG
91260	Hose Barb 1½" x 1½" NPS Female Thread
91261	Hose Barb 1½" x 1½" NPS Female Thread PKG
91262	Hose Barb 2" x 2" NPS Female Thread
91263	Hose Barb 2" x 2" NPS Female Thread PKG
91264	Hose Barb Unequal ⅞" x ¾" NPS Female Thread
91265	Hose Barb Unequal ⅞" x ¾" NPS Female Thread PKG
91180	Hose Barb Unequal 1⅛" x 1" NPS Female Thread
91181	Hose Barb Unequal 1⅛" x 1" NPS Female Thread PKG
91268	Hose Barb Unequal 1½" x 1¼" NPS Female Thread
91269	Hose Barb Unequal 1½" x 1¼" NPS Female Thread PKG
91266	Hose Barb Unequal 1" x 1½" NPS Female Thread
91267	Hose Barb Unequal 1" x 1½" NPS Female Thread PKG
91314	Hose Barb Unequal 1⅛" x 1½" NPS Female Thread
91315	Hose Barb Unequal 1⅛" x 1½" NPS Female Thread PKG
91288	Hose Barb Unequal 1¼" x 1½" NPS Female Thread
91289	Hose Barb Unequal 1¼" x 1½" NPS Female Thread PKG

Dimensions



A	B		C		D		E		F		G	
Thread Size	Tail Size		Overall Length		Thread Length		Tail Length		Hex Size AF		Minimum Internal \varnothing	
3/4"	19mm	3/4"	73mm	2 7/8"	30mm	1 1/6"	31mm	1 2/9"	30mm	1 1/6"	12mm	1/2"
1"	25mm	1"	86mm	3 2/5"	30mm	1 1/6"	40mm	1 4/7"	35mm	1 3/8"	19mm	3/4"
1 1/4"	32mm	1 1/4"	86mm	3 2/5"	30mm	1 1/6"	40mm	1 4/7"	44mm	1 3/4"	25mm	1"
1 1/2"	38mm	1 1/2"	86mm	3 2/5"	30mm	1 1/6"	40mm	1 4/7"	50mm	2"	30mm	1 1/6"
2"	50mm	2"	96mm	3 7/9"	30mm	1 1/6"	50mm	2"	62mm	2 4/9"	41mm	1 3/5"
3/4"	22mm	7/8"	73mm	2 7/8"	30mm	1 1/6"	31mm	1 2/9"	30mm	1 1/6"	15mm	3/5"
1"	28mm	1 1/8"	86mm	3 2/5"	30mm	1 1/6"	40mm	1 4/7"	35mm	1 3/8"	21mm	5/6"
1 1/4"	38mm	1 1/2"	86mm	3 2/5"	30mm	1 1/6"	40mm	1 4/7"	44mm	1 3/4"	30mm	1 1/6"
1 1/2"	25mm	1"	86mm	3 2/5"	30mm	1 1/6"	40mm	1 4/7"	50mm	2"	19mm	3/4"
1 3/4"	38mm	1 1/2"	86mm	3 2/5"	30mm	1 1/6"	40mm	1 4/7"	56mm	2 1/5"	30mm	1 1/6"

The information contained in this information sheet is for general information purposes only. The information is provided by TruDesign™ and while we endeavour to keep the information up to date and correct, we make no representations or warranties of any kind, express or implied, about the completeness, accuracy, reliability, suitability or availability. Any reliance you place on such information is therefore strictly at your