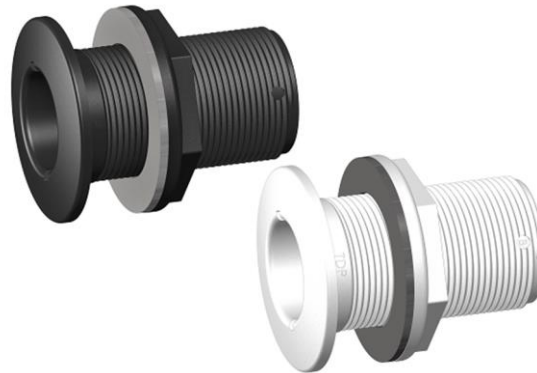


Skin Fittings Domed (Thru Hulls)

(Suitable for underwater use)



Designed and made in New Zealand, TruDesign Certified Skin Fittings (Thru Hulls) are precision moulded from glass-reinforced Nylon composite. They eliminate all corrosion and bonding problems associated with electrolysis giving peace of mind with respect to the safety of your vessel.

Features:

- Compatible with all hull types – Can be used on aluminium, steel, wood, composite & GRP hulls.
- Chemical resistant – Unaffected by diesel, petrol, chemicals, and antifouling paints.
- U.V resistant – Will not degrade or discolour from the sun's ultraviolet rays.
- Paintable with all types of antifoul including Coppercoat™
- Fits TruDesign Ball Valves and other parallel BSP or NPS threads – Universal compatibility to TruDesign brand fittings and other marine hardware.
- Large operating range – Suitable for all marine conditions from -40°C to +110°C



Compliance

ISO 9093-2021 Small craft -TRUDESIGN Skin Fittings and Ball Valves comply with ISO 9093:2021 and certified by the International Marine Certification Institute (IMCI).

For sizes ¾" through to 3"

Excludes the ½" size.

American ABYC H-27 – 500Lb static load test - TRUDESIGN Skin Fittings and Ball Valves meet the American ABYC H-27 – 500Lb static load test; Seacocks, Thru-Hull Fittings, and Drain Plugs – independently verified by IMANNA Laboratory Inc.

For sizes 1¼" through to 3" the ABYC Collar it is **not** a requirement to meet this static load test. The ABYC Load Bearing Collar is required for the size ¾" and 1" to meet this static load test. The ½" does not meet the 500Lb static load test with or without the ABYC collar.

Part Numbers BSP

Part # Black	Part # White	SKIN FITTINGS / THRU HULLS - DOMED - BSP	
90424	90425	Skin Fitting Domed ½" BSP PKG	
91107	91108	Skin Fitting Domed ½" BSP Tagged	
90431	90432	Skin Fitting Domed ¾" BSP PKG	
91114	91115	Skin Fitting Domed ¾" BSP Tagged	
90422	90423	Skin Fitting Domed 1" BSP PKG	
91105	91106	Skin Fitting Domed 1" BSP Tagged	
90420	90421	Skin Fitting Domed 1 ¼" BSP PKG	
91103	91104	Skin Fitting Domed 1 ¼" BSP Tagged	
90418	90419	Skin Fitting Domed 1 ½" BSP PKG	
91101	91102	Skin Fitting Domed 1 ½" BSP Tagged	
90428	90429	Skin Fitting Domed 2" BSP PKG	Obsolete Oct 22
91111	91112	Skin Fitting Domed 2" BSP Tagged	Obsolete Oct 22
91343	91344	Skin Fitting Domed 2" BSP PKG	
91331	91332	Skin Fitting Domed 2" BSP Tagged	

Part Numbers NPS

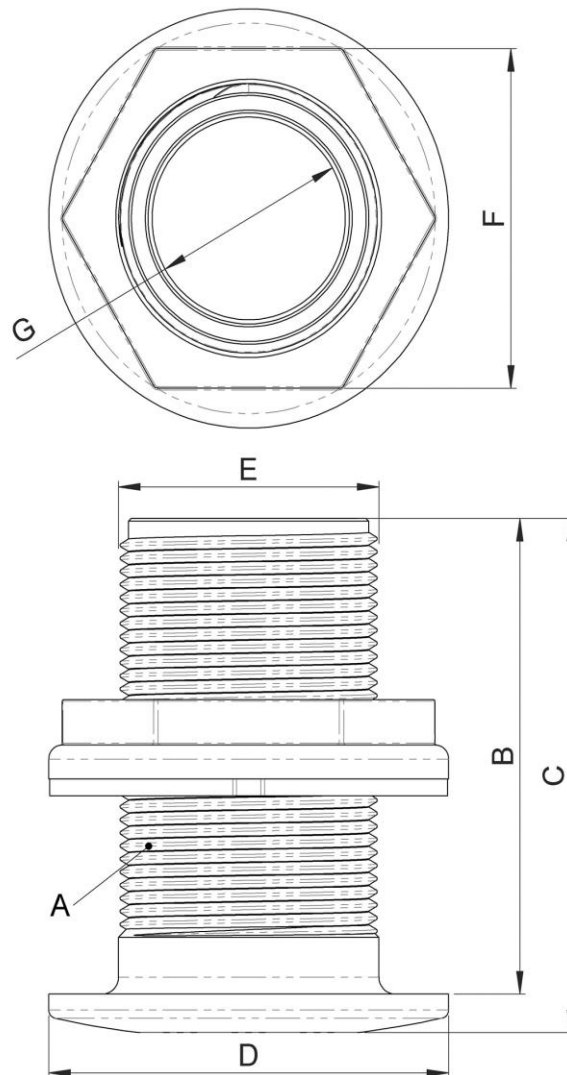
Part # Black	Part # White	SKIN FITTINGS / THRU HULLS - DOMED - NPS	
91225	91231	Thru-hull Domed ½" NPS Tagged	
91226	91232	Thru-hull Domed ¾" NPS Tagged	
91227	91233	Thru-hull Domed 1" NPS Tagged	
91228	91234	Thru-hull Domed 1¼" NPS Tagged	
91229	91235	Thru-hull Domed 1½" NPS Tagged	
91230	91236	Thru-hull Domed 2" NPS Tagged	Obsolete Oct 22
91329	91330	Thru-Hull Domed 2" NPS Tagged	

Dimensions:

All dimensions in millimetres (mm) All dimensions nominal.

A	B		C		D		E		F		G	
Thread Size	Thread Length		Overall Length		Head Diameter		Cutout Diameter		Hex Size AF		Minimum Internal	
½"	66mm	2 3/5"	72mm	2 6/7"	35mm	1 3/8"	22mm	6/7"	28mm	1 1/9"	12mm	1/2"
¾"	66mm	2 3/5"	71mm	2 4/5"	41mm	1 3/5"	27mm	1"	34mm	1 1/3"	17mm	2/3"
1"	66mm	2 3/5"	71mm	2 4/5"	52mm	2"	34mm	1 1/3"	42mm	1 2/3"	23mm	1"
1¼"	86mm	3 2/5"	92mm	3 5/8"	65mm	2 5/9"	42mm	1 2/3"	52mm	2"	30mm	1 1/5"
1½"	84mm	3 1/3"	91mm	3 4/7"	74mm	3"	48mm	1 8/9"	60mm	2 1/3"	36mm	1 2/5"
2"	90mm	3 1/2"	98mm	3 6/7"	93mm	3 2/3"	60mm	2 1/3"	75mm	3"	48mm	1 8/9"
2"*	114mm	4 1/2"	122mm	4 4/5"	93mm	3 2/3"	60mm	2 1/3"	75mm	3"	48mm	1 8/9"

* Two Inch Domed Skin Fitting Changed to longer length - October 2022. See part numbers table.



Hull Thickness

Size	Maximum Hull Thickness allowing 70% thread engagement into Ball valve
1/2"	32 mm
3/4"	32 mm
1"	32 mm
1 1/4"	44 mm
1 1/2"	44 mm
2" *	68 mm

* Two Inch Domed Skin Fitting Changed to longer length - September 2022. See part numbers table.

TruDesign Skin Fitting Installation Tool



Installation: Location & Sealing

For Installation Instructions go to our Technical Information Sheet on the TruDesign Website – Scan QR Code



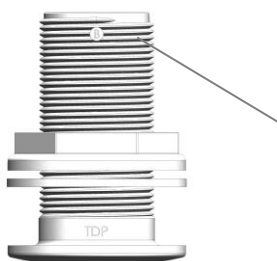
THREAD SEALING: Ball Valve to Skin Fitting and Tails (Thru Hull)

For Thread Sealing Instructions go to our Technical Information Sheet on the TruDesign Website – Scan QR Code



Identification

TruDesign Skin Fittings (Thru Hulls) are printed and marked with the following information.



TruDesign branding. You can identify from inside the hull that genuine fittings are installed.

Engraved 'B' for BSP thread, or
'N' for NPS thread



The information contained in this information sheet is for general information purposes only. The information is provided by TruDesign™ and while we endeavour to keep the information up to date and correct, we make no representations or warranties of any kind, express or implied, about the completeness, accuracy, reliability, suitability or availability. Any reliance you place on such information is therefore strictly at your