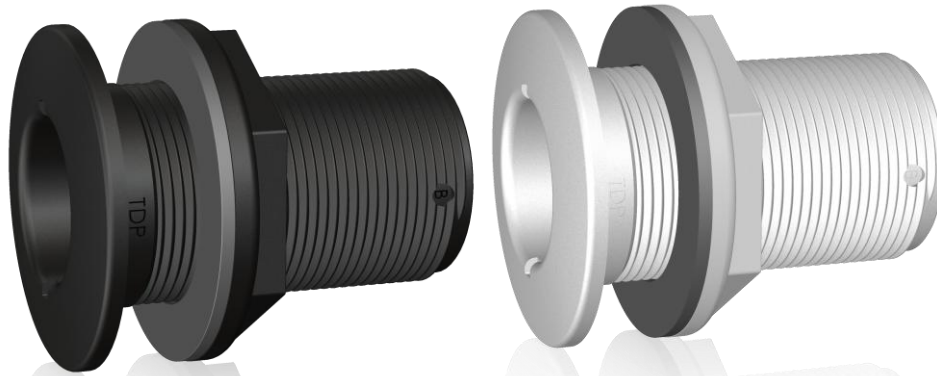


## Skin Fitting Domed (Thru Hulls)

(Suitable for use below the waterline)



Designed and made in New Zealand, TruDesign Certified Skin Fittings (Thru Hulls) are precision moulded from glass-reinforced Nylon composite. They eliminate all corrosion and bonding problems associated with electrolysis giving peace of mind with respect to the safety of your vessel.

### Key Features:

- Manufactured from a glass-reinforced Nylon composite – High strength, tough and light weight.
- Compatible with all hull types – Can be used on aluminium, steel, wood, composite & GRP hulls.
- Immune to corrosion & electrolysis – No corrosion breakages, increased safety.
- Chemical resistant – Unaffected by diesel, petrol, chemicals, and antifouling paints.
- U.V resistant – Will not degrade or discolour from the sun's ultra violet rays.
- Paintable with all types of antifoul including Coppercoat™
- Fits TruDesign Ball Valves and other parallel BSP or NPS threads – Universal compatibility to TruDesign brand fittings and other marine hardware.
- Large operating range – Suitable for all marine conditions from -40°C to +110°C

### Compliance:

**ISO 9093-2021 Small craft** -TRUDESIGN Skin Fittings and Ball Valves comply with ISO 9093:2021, certified by the International Marine Certification Institute (IMCI) and type approved by **BUREAU VERITAS**.

(For sizes ¾" through to 3", Excludes the ½" size.)

**American ABYC H-27 – 500Lb static load test** - TRUDESIGN Skin Fittings and Ball Valves meet the American ABYC H-27 – 500Lb static load test; Seacocks, Thru-Hull Fittings, and Drain Plugs – independently verified by IMANNA Laboratory Inc.

For sizes 1¼" through to 3" the ABYC Collar it is **not** a requirement to meet this static load test. The ABYC Load Bearing Collar is required for the size 1" to meet this static load test. The ½" and ¾" does not meet the 500Lb static load test with or without the ABYC collar.

### Part Numbers (BSP):

Description	BLACK		WHITE	
	TAGGED	PKG	TAGGED	PKG
Skin Fitting Domed ½"	91107	90424	91108	90425
Skin Fitting Domed ¾"	91114	90431	91115	90432
Skin Fitting Domed 1"	91105	90422	91106	90423
Skin Fitting Domed 1 ¼"	91103	90420	91104	90421
Skin Fitting Domed 1 ½"	91101	90418	91102	90419
Skin Fitting Domed 2"	91331	91343	91332	91344

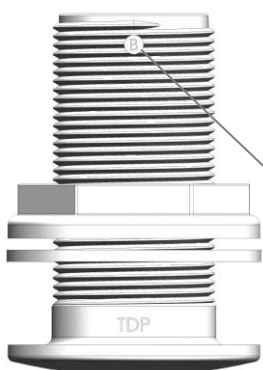
PKG product is supplied branded bags.

### Part Numbers (NPS):

Description	BLACK TAGGED	WHITE TAGGED
Thru-hull Domed ½"	91225	91231
Thru-hull Domed ¾"	91226	91232
Thru-hull Domed 1"	91227	91233
Thru-hull Domed 1 ¼"	91228	91234
Thru-hull Domed 1 ½"	91229	91235
Thru-hull Domed 2"	91329	91330

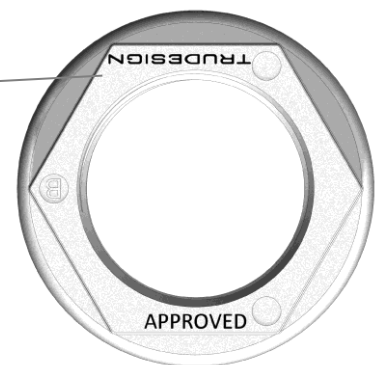
### Identification:

TruDesign Skin Fittings (Thru Hulls) are printed and marked with the following information.



TruDesign branding. You can identify from inside the hull that genuine fittings are installed.

Engraved 'B' for BSP thread, or 'N' for NPS thread



## Installation:

### TruDesign Skin Fitting Installation Tool:

For aiding installation by a single person, see location and sealing technical information sheet for further details.



### Location and Sealing:

For Installation Instructions go to our Technical Information Sheet on the TruDesign Website – Scan QR Code.



### Thread Sealing: Ball Valve to Skin Fitting and Tails (Thru Hulls):

For Thread Sealing Instructions go to our Technical Information Sheet on the TruDesign Website – Scan QR Code.



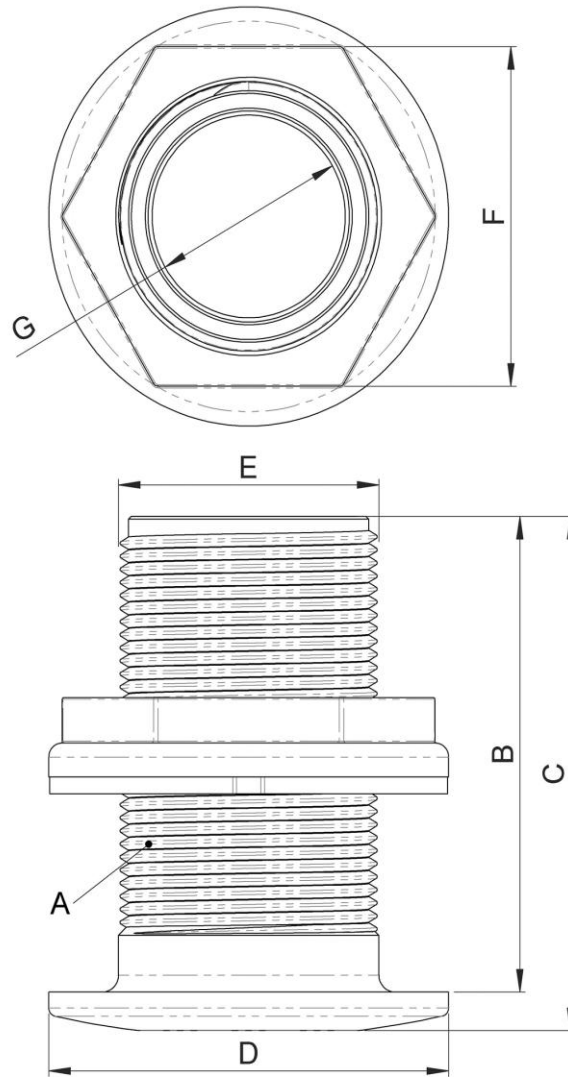
### Maximum Hull Thickness and Recommended Thread Engagement :

Size	Minimum Thread Engagement	Maximum Hull Thickness
1/2"	17mm	32mm
3/4"	17mm	32mm
1"	17mm	32mm
1 1/4"	22mm	44mm
1 1/2"	22mm	44mm
2"	22mm	68mm

*\*All lengths are nominal.*

## Dimensions:

All dimensions are nominal. All dimension in mm unless specified.



A	B		C		D		E		F		G	
Thread Size	Thread Length		Overall Length		Head Diameter		Cutout Diameter		Hex Size AF		Minimum Internal	
1/2"	66mm	2 3/5"	72mm	2 6/7"	35mm	1 3/8"	22mm	6/7"	28mm	1 1/9"	12mm	1/2"
3/4"	66mm	2 3/5"	71mm	2 4/5"	41mm	1 3/5"	27mm	1"	34mm	1 1/3"	17mm	2/3"
1"	66mm	2 3/5"	71mm	2 4/5"	52mm	2"	34mm	1 1/3"	42mm	1 2/3"	23mm	1"
1 1/4"	86mm	3 2/5"	92mm	3 5/8"	65mm	2 5/9"	42mm	1 2/3"	52mm	2"	30mm	1 1/5"
1 1/2"	84mm	3 1/3"	91mm	3 4/7"	74mm	3"	48mm	1 8/9"	60mm	2 1/3"	36mm	1 2/5"
2"	114mm	4 1/2"	122mm	4 4/5"	93mm	3 2/3"	60mm	2 1/3"	75mm	3"	48mm	1 8/9"

The information contained in this information sheet is for general information purposes only. The information is provided by TruDesign™ and while we endeavour to keep the information up to date and correct, we make no representations or warranties of any kind, express or implied, about the completeness, accuracy, reliability, suitability, or availability. Any reliance you place on such information is therefore strictly at your own risk.