

Tails - Long Thread 120°

Designed and made in New Zealand, TRUDESIGN Tail Long Thread 120° fittings are the superior composite connection for fitting hoses to threaded fittings.



TruDesign Tails are moulded from a glass reinforced nylon composite. High strength, high-modulus glass fibres impregnated into the nylon provides dramatic strength, stiffness, toughness, and dimensional stability. TruDesign Tails eliminate the corrosion and electrical bonding problems associated with metallic fittings. The Tails are designed for twin hose clamps, and to not crush under high load conditions.

Models:

Part #	BSP Models	Part #	NPS Models
01282	Tail 19mm 3/4" BSP Long Thread 120°	01284	Tail 19mm 3/4" NPS Long Thread 120°
01283	Tail 19mm 3/4" BSP Long Thread 120° PKG	01285	Tail 19mm 3/4" NPS Long Thread 120° PKG
00531	Tail 25mm 1" BSP Long Thread 120°	00924	Hose Barb 1" x 1" NPS Long Thread 120°
00572	Tail 25mm 1" BSP Long Thread 120° PKG	00925	Hose Barb 1" x 1" NPS Long Thread 120° PKG
00922	Tail 32mm 1 1/4" BSP Long Thread 120°	00926	Hose Barb 1 1/4" x 1 1/4" NPS Long Thread 120°
00923	Tail 32mm 1 1/4" BSP Long Thread 120° PKG	00927	Hose Barb 1 1/4" x 1 1/4" NPS Long Thread 120° PKG
00928	Tail 38mm 1 1/4" BSP Long Thread 120°	01286	Hose Barb 1 1/2" x 1 1/4" NPS Long Thread 120°
00929	Tail 38mm 1 1/4" BSP Long Thread 120° PKG	01287	Hose Barb 1 1/2" x 1 1/4" NPS Long Thread 120° PKG
00532	Tail 38mm 1 1/2" BSP Long Thread 120°	00928	Hose Barb 1 1/2" x 1 1/2" NPS Long Thread 120°
00573	Tail 38mm 1 1/2" BSP Long Thread 120° PKG	00929	Hose Barb 1 1/2" x 1 1/2" NPS Long Thread 120° PKG
00533	Tail 50mm 2" BSP Long Thread 120°	00930	Hose Barb 2" x 2" NPS Long Thread 120°
00574	Tail 50mm 2" BSP Long Thread 120° PKG	00931	Hose Barb 2" x 2" NPS Long Thread 120° PKG

PKG product is supplied in TruDesign branded bags



Key Features

Feature	Benefit
Manufactured from a glass reinforced nylon composite	High strength and light weight.
Immune to corrosion and electrolysis	Long life with no concerns over decreased performance due to corrosion.
Chemical resistant	Impervious to diesel, petrol and antifouling paints.
UV resistant	These fittings will not break down with ultraviolet light or discolour from the sun.
High quality surface finish	Will not discolour with green film as similar bronze fittings do.
Fits Tru-Design Ball Valves, BSP and NPS threads.	Universal compatibility to other TruDesign fittings, and other marine components.
Large operating temperature range	Suitable for all marine environments, from -40°C to +110°C.

Installation

For thread sealing see TruDesign Technical information sheet on our web site www.trudesignplastics.com - for suitable adhesive sealants and or thread tapes.

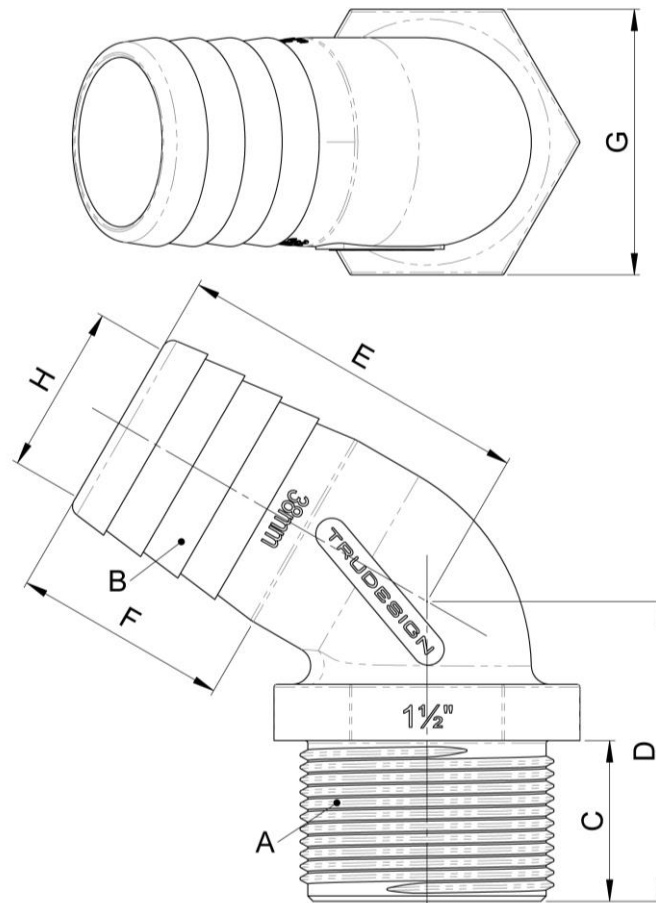
The connecting thread type are either BSP or NPS and clearly marked on the side of the fitting along with size. The advantage of parallel threads rather than tapered is that there can be maximum engagement between the mating threads providing a stronger connection. Do not over-tighten, simply allow the adhesive sealant to provide the seal and orientation of the fitting.

Apply twin hose clamps for a secure hose connection and check tightness regularly.

Dimensions:

All dimensions nominal

A	B		C		D		E		F		G		H	
Thread Size	Tail Size		Length		Length		Thread Length		Tail Length		Hex Size AF		Minimum Internal Ø	
¾"	19mm	¾"	56mm	2 1/5"	49mm	2"	30mm	1 1/6"	31mm	1 2/9"	30mm	1 1/6"	13mm	1/2"
1"	25mm	1"	56mm	2 1/5"	67mm	2 2/3"	30mm	1 1/6"	41mm	1 5/8"	35mm	1 1/3"	19mm	3/4"
1¼"	32mm	1¼"	56mm	2 1/5"	67mm	2 2/3"	30mm	1 1/6"	41mm	1 5/8"	44mm	1 5/7"	25mm	1"
1½"	38mm	1½"	56mm	2 1/5"	67mm	2 2/3"	30mm	1 1/6"	41mm	1 5/8"	50mm	2"	31mm	1 2/9"
2"	50mm	2"	56mm	2 1/5"	70mm	2 3/4"	30mm	1 1/6"	41mm	1 5/8"	62mm	2 3/7"	43mm	1 2/3"
1¼"	38mm	1½"	56mm	2 1/5"	67mm	2 2/3"	30mm	1 1/6"	41mm	1 5/8"	44mm	1 5/7"	31mm	1 2/9"



The information contained in this information sheet is for general information purposes only. The information is provided by TruDesign and while we endeavor to keep the information up to date and correct, we make no representations or warranties of any kind, express or implied, about the completeness, accuracy, reliability, suitability, or availability. Any reliance you place on such information is therefore strictly at your own risk.