

Tails Threaded 90°

Designed and made in New Zealand, TruDesign Threaded Tails are the superior composite connection for fitting hoses to threaded fittings



TruDesign Tails are moulded from a glass reinforced nylon composite. High strength, high-modulus glass fibres impregnated into the nylon provides dramatic strength, stiffness, toughness, and dimensional stability. TruDesign Tails eliminate the corrosion and electrical bonding problems associated with metallic fittings. The Tails are designed for twin hose clamps, and to not crush under high load conditions.

Key Features:

- Manufactured from a glass reinforced nylon composite for high strength and light weight.
- Immune to corrosion and electrolysis for a long life with no concerns over decreased performance.
- Chemical resistant making the fitting impervious to diesel, petrol and antifouling paints.
- UV resistant to prevent breaking down or discolouration from the sun.
- High quality surface finish to prevent discolouring with green film as similar bronze fittings do.
- Fits TruDesign Ball Valves, BSP and NPS threads.
- Suitable for all marine environments, from -40°C to +110°C.

Installation:

For thread sealing see TruDesign Technical information sheet on our web site www.trudesignplastics.com - for suitable adhesive sealants and or thread tapes.

The connecting thread type are either BSP or NPS and clearly marked on the side of the fitting along with size. The advantage of parallel threads rather than tapered is that there can be maximum engagement between the mating threads providing a stronger connection.

Do not over tighten, simply allow the adhesive sealant to provide the seal. To achieve the correct orientation simply screw the fitting all the way home then “back it off” to the correct orientation to suit hose direction. Adhesive sealants best provide both the mechanical strength and sealing.

Apply twin hose clamps for a secure hose connection and check tightness regularly.

Part Number And Descriptions (BSP):

Description	Part Number	
	NON PKG	PKG
Tail 13mm ½" BSP Long Thread 90° *	90517	90565
Tail 13mm ½" BSP Compact 90°	91373	91420
Tail 19mm ¾" BSP Long Thread 90° *	90372	90566
Tail 19mm ¾" BSP Compact 90°	91372	90421
Tail 22mm ¾" BSP Compact 90°	91440	91441
Tail 25mm 1" BSP Long Thread 90° *	90373	90567
Tail 25mm 1" BSP Compact 90°	91436	91437
Tail 32mm 1¼" BSP Long Thread 90°	90374	90568
Tail 38mm 1½" BSP Long Thread 90°	90375	90569
Tail 50mm 2" BSP Long Thread 90°	90376	90570
Tail Unequal 16mm ½" BSP Long Thread 90° *	90877	90878
Tail Unequal 16mm ½" BSP Compact 90°	91422	91423
Tail Unequal 28mm 1" BSP Compact 90°	91424	91425
Tail Unequal 38mm 1¼" BSP Long Thread 90°	90529	90571

Part Number And Descriptions (NPS):

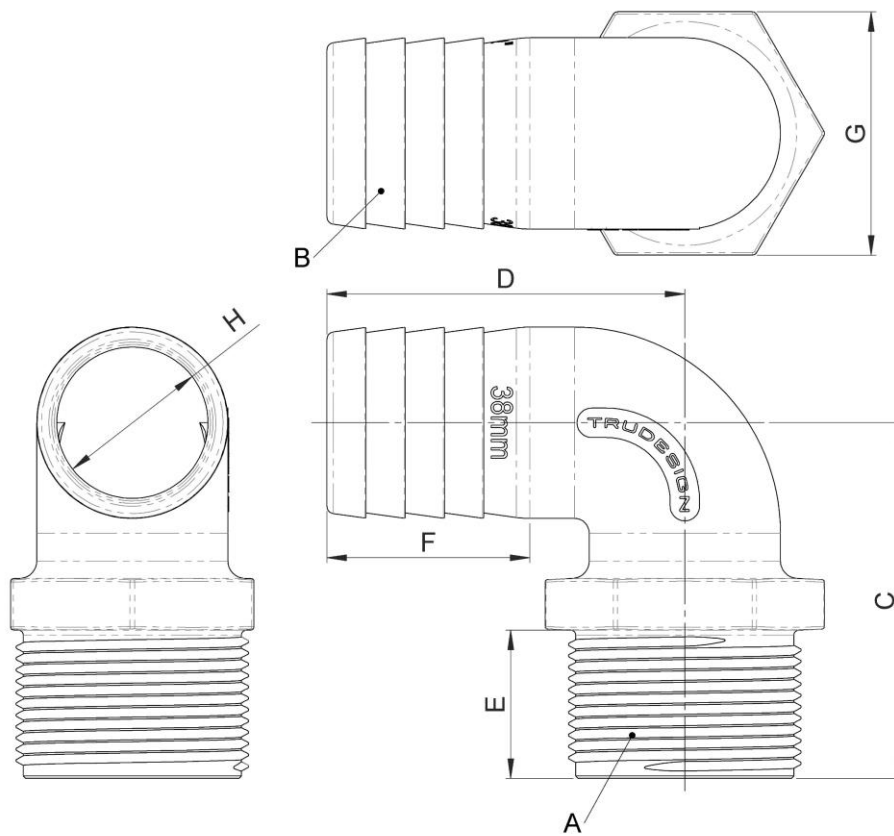
Description	Part Number	
	NON PKG	PKG
Hose Barb 90° ½" x ½" NPS Long Thread *	90861	90862
Hose Barb 90° ½" x ½" NPS Compact	91382	91426
Hose Barb 90° ¾" x ¾" NPS Long Thread *	90895	90896
Hose Barb 90° ¾" x ¾" NPS Compact	91381	91427
Hose Barb 90° ⅞" x ¾" NPS Compact	91438	91439
Hose Barb 90° 1" x 1" NPS Long Thread *	90897	90898
Hose Barb 90° 1" x 1" NPS Compact	91428	91429
Hose Barb 90° 1¼" x 1¼" NPS Long Thread *	90899	90900
Hose Barb 90° 1½" x 1½" NPS Long Thread	90901	90902
Hose Barb 90° 2" x 2" NPS Long Thread	90903	90904
Hose Barb 90° Unequal ⅝" x ½" NPS Long Thread *	90905	90906
Hose Barb 90° Unequal ⅝" x ½" NPS Compact	91430	91431
Hose Barb 90° Unequal ⅞" x ¾" NPS Compact	91432	91433
Hose Barb 90° Unequal 1⅞" x 1" NPS Long Thread *	91184	91185
Hose Barb 90° Unequal 1⅞" x 1" NPS Compact	91434	91435
Hose Barb 90° Unequal 1½" x 2" NPS Long Thread	91186	91187

Dimensions (Standard Tail Threaded 90°):

A	B		C		D		E		F		G		H	
Thread Size	Tail Size		Length		Length		Thread Length		Tail Length		Hex Size AF		Minimum Internal Ø	
½"	13mm	¾"	51mm	2"	44mm	1 3/4"	25mm	1"	31mm	1 2/9"	25mm	1"	8mm	2/7"
¾"	19mm	¾"	57mm	2 1/4"	52mm	2"	25mm	1"	31mm	1 2/9"	30mm	1 1/6"	13mm	1/2"
1"	25mm	1"	66mm	2 4/7"	65mm	2 5/9"	30mm	1 1/6"	41mm	1 5/8"	35mm	1 1/3"	19mm	3/4"
1 ¼"	32mm	1 ¼"	70mm	2 3/4"	71mm	2 4/5"	30mm	1 1/6"	41mm	1 5/8"	44mm	1 5/7"	25mm	1"
1 ½"	38mm	1 ½"	73mm	2 6/7"	73mm	2 7/8"	30mm	1 1/6"	41mm	1 5/8"	50mm	2"	31mm	1 2/9"
2"	50mm	2"	75mm	3"	73mm	2 7/8"	30mm	1 1/6"	41mm	1 5/8"	62mm	2 3/7"	43mm	1 2/3"
½"	16mm	¾"	51mm	2"	50mm	2"	25mm	1"	31mm	1 2/9"	25mm	1"	10mm	2/5"
1"	28mm	1 ¼"	66mm	2 4/7"	65mm	2 5/9"	30mm	1 1/6"	41mm	1 5/8"	35mm	1 1/3"	21mm	5/6"
1 ¼"	38mm	1 ½"	73mm	2 6/7"	73mm	2 7/8"	30mm	1 1/6"	41mm	1 5/8"	44mm	1 5/7"	31mm	1 2/9"
2"	38mm	1 ½"	75mm	3"	73mm	2 7/8"	30mm	1 1/6"	41mm	1 5/8"	62mm	2 3/7"	31mm	1 2/9"

Dimensions (Compact Tail Threaded 90°):

A	B		C		D		E		F		G		H	
Thread Size	Tail Size		Length		Length		Thread Length		Tail Length		Hex Size AF		Minimum Internal Ø	
½"	13mm	½"	34mm	1 1/3"	42mm	1 2/3"	22mm	6/7"	31mm	1 2/9"	25mm	1"	8mm	1/3"
¾"	19mm	¾"	38mm	1 1/2"	45mm	1 3/4"	22mm	6/7"	31mm	1 2/9"	30mm	1 1/6"	13mm	1/2"
¾"	22mm	¾"	40mm	1 5/9"	45mm	1 3/4"	22mm	6/7"	31mm	1 2/9"	30mm	1 1/6"	17mm	2/3"
1"	25mm	1"	41mm	1 3/5"	57mm	2 1/4"	22mm	6/7"	41mm	1 3/5"	35mm	1 1/3"	19mm	3/4"
½"	16mm	¾"	34mm	1 1/3"	42mm	1 2/3"	22mm	6/7"	30mm	1 1/6"	25mm	1"	8mm	2/7"
1"	28mm	1 ¼"	43mm	1 2/3"	57mm	2 1/4"	22mm	6/7"	40mm	1 3/5"	35mm	1 1/3"	22mm	6/7"



The information contained in this information sheet is for general information purposes only. The information is provided by TruDesign™ and while we endeavour to keep the information up to date and correct, we make no representations or warranties of any kind, express or implied, about the completeness, accuracy, reliability, suitability, or availability. Any reliance you place on such information is therefore strictly at your own risk.