

## SKIN FITTINGS (Thru Hull) with TAIL.

Designed and made in New Zealand, TruDesign Certified Skin Fittings (Thru Hulls) are precision moulded from glass-reinforced Nylon composite. They eliminate all corrosion and bonding problems associated with electrolysis giving peace of mind with respect to the safety of your vessel.



**Note: not to be used for below water line applications.**

### Features:

- Manufactured from glass-reinforced Nylon composite, resulting in high strength properties, tough yet light in weight.
- Compatible with all hull types – Can be used on aluminium, steel, wood, composite & GRP hulls.
- Immune to corrosion & electrolysis – No corrosion breakages, increased safety.
- Chemical resistant – Unaffected by diesel, petrol, chemicals, and antifouling paints.
- U.V resistant – Will not degrade or discolour from the sun's ultraviolet rays.
- Long Tail – allows for two hose clips as per ISO and ABYC Standards
- Large operating range – Suitable for all marine conditions from -40°C to +110°C



### Compliance

**ISO 9093-2021 Small craft** -TRUDESIGN Skin Fittings with tail comply with ISO 9093:2021 and certified by the International Marine Certification Institute (IMCI).

For sizes ¾" through to 2"

Excludes the ½" size.

## Part Numbers

Part # Black	Part # White	SKIN FITTING / THRU HULLS TAILS
90522	90426	Skin Fitting Tail 13mm ½" BSP PKG
91138	91109	Skin Fitting Tail 13mm ½" BSP Tagged
90523	90427	Skin Fitting Tail 19mm ¾" BSP PKG
91139	91110	Skin Fitting Tail 19mm ¾" BSP Tagged
90524	90430	Skin Fitting Tail 25mm 1" BSP PKG
91120	91113	Skin Fitting Tail 25mm 1" BSP Tagged
90526	90433	Skin Fitting Tail 32mm 1¼" BSP PKG
91122	91116	Skin Fitting Tail 32mm 1¼" BSP Tagged
90527	90434	Skin Fitting Tail 38mm 1½" BSP PKG
91123	91117	Skin Fitting Tail 38mm 1½" BSP Tagged
90528	90435	Skin Fitting Tail 50mm 2" BSP PKG
91124	91118	Skin Fitting Tail 50mm 2" BSP Tagged
90811	90810	Skin Fitting Tail 16mm ½" BSP PKG
91137	91136	Skin Fitting Tail 16mm ½" BSP Tagged
90525	90436	Skin Fitting Tail 28mm 1" BSP PKG
91121	91119	Skin Fitting Tail 28mm 1" BSP Tagged

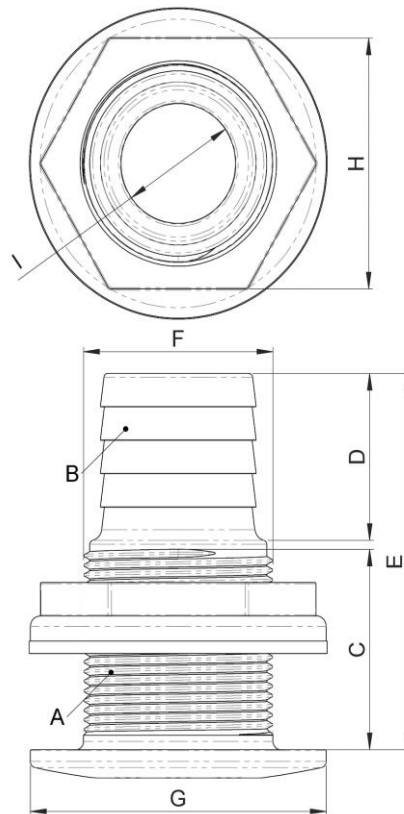
## Maximum hull thickness

Tail Size	Maximum Hull Thickness
13mm	30mm
19mm	30mm
25mm	30mm
32mm	30mm
38mm	30mm
50mm	45mm
28mm	30mm
16mm	30mm

## Dimensions

All dimensions in mm. All dimensions nominal.

Thread Size	B		C		D		E		F		G		H		I	
	Tail Size		Thread Length		Tail Length		Overall Length		Cutout Size		Head Diameter		Hex Size AF		Minimum Internal $\phi$	
1/2"	13mm	1/2"	47mm	1 6/7"	40mm	1 4/7"	90mm	3 1/2"	22mm	6/7"	36mm	1 3/7"	28mm	1 1/9"	8mm	1/3"
3/4"	19mm	3/4"	47mm	1 6/7"	40mm	1 4/7"	90mm	3 1/2"	27mm	1"	41mm	1 3/5"	34mm	1 1/3"	12mm	1/2"
1"	25mm	1"	47mm	1 6/7"	40mm	1 4/7"	90mm	3 1/2"	34mm	1 1/3"	53mm	2"	42mm	1 2/3"	18mm	5/7"
1 1/4"	32mm	1 1/4"	47mm	1 6/7"	40mm	1 4/7"	90mm	3 1/2"	42mm	1 2/3"	66mm	2 3/5"	52mm	2"	24mm	1"
1 1/2"	38mm	1 1/2"	47mm	1 6/7"	40mm	1 4/7"	90mm	3 1/2"	48mm	1 8/9"	75mm	3"	60mm	2 1/3"	29mm	1 1/7"
2"	50mm	2"	70mm	2 3/4"	40mm	1 4/7"	113mm	4 4/9"	60mm	2 1/3"	93mm	3 2/3"	75mm	3"	41mm	1 3/5"
1/2"	16mm	5/8"	47mm	1 6/7"	40mm	1 4/7"	90mm	3 1/2"	22mm	6/7"	36mm	1 3/7"	28mm	1 1/9"	10mm	2/5"
1"	28mm	1 1/8"	47mm	1 6/7"	40mm	1 4/7"	90mm	3 1/2"	34mm	1 1/3"	53mm	2"	42mm	1 2/3"	22mm	6/7"



## Installation: Location & Sealing

- For Installation Instructions go to our Technical Information Sheet on the TruDesign Website – Scan QR Code



The information contained in this information sheet is for general information purposes only. The information is provided by TruDesign™ and while we endeavour to keep the information up to date and correct, we make no representations or warranties of any kind, express or implied, about the completeness, accuracy, reliability, suitability or availability. Any reliance you place on such information is therefore strictly at your own risk.