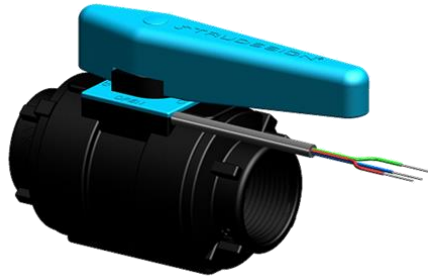


Position Monitored Ball Valves



TRUDESIGN™ Certified Ball Valves are specifically designed for use in marine applications above and below the water line.

Features:

- Allows remote monitoring of up to four Ball Valves (per seacock display panel) in the open or closed position.
- Can be wired into or part of an engine or generator start “interlock” to ensure they don’t start without cooling water available.
- Manufactured from a glass-reinforced Nylon composite – High strength, tough and light weight.
- Immune to corrosion & electrolysis – No corrosion breakages, increased safety.
- Electrically non-conductive. No electrical bonding.
- Suitable for use on all hull types - aluminium, steel, wood or FRP.
- The ball and sealing rings utilise a PTFE polymer to ensure a smooth action and minimal fouling of the internal ball.
- Can be “locked” in the closed position to comply with toilet waste outlet regulations. US Coast Guard Regulation 33 CFR 159.7 and ISO Standard 8099 for locking of toilet waste outlets
- Large operating temperature range – From -40°C to +110°C (for Ball Valve only)
- Available in both BSP and NPS thread forms
- U.V resistant – Will not degrade or discolour from the sun’s ultraviolet rays.
- 100% leak tested before leaving factory.

Compliance

ISO 9093-2021 Small craft -TRUDESIGN Skin Fittings and Ball Valves comply with ISO 9093:2021 and certified by the International Marine Certification Institute (IMCI).

For sizes ¾” through to 3”

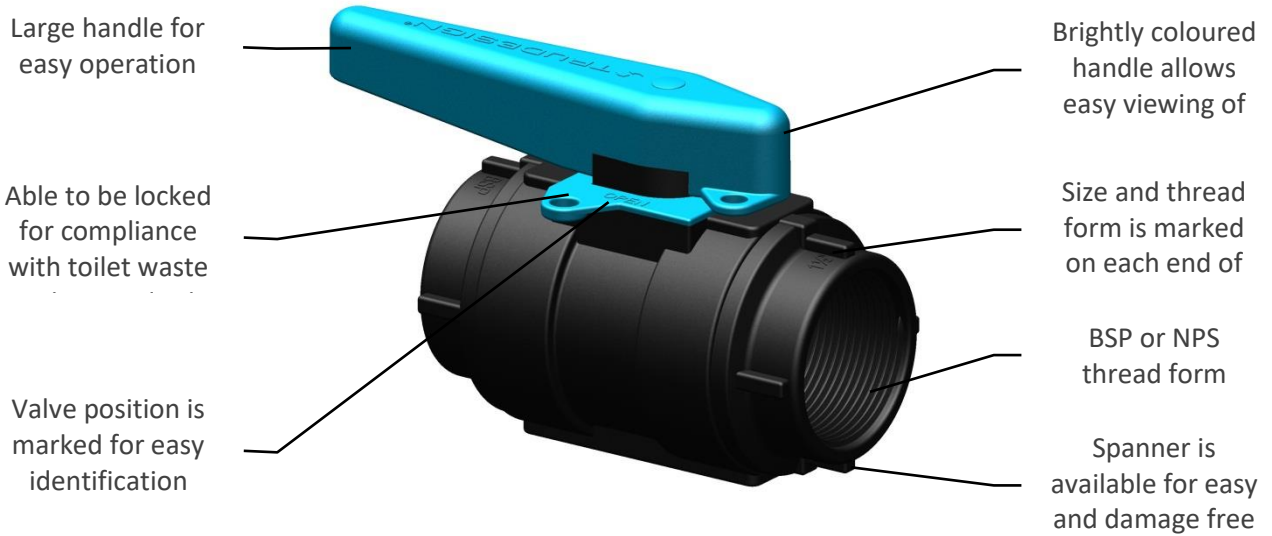
Excludes the ½” size.

American ABYC H-27 – 500lb static load test - TRUDESIGN Skin Fittings and Ball Valves meet the American ABYC H-27 – 500lb static load test; Seacocks, Thru-Hull Fittings, and Drain Plugs – independently verified by IMANNA Laboratory Inc.

For sizes 1¼” through to 3” the ABYC Collar it is **not** a requirement to meet this static load test. TruDesign ABYC Load Bearing Collar is required for the size ¾ and 1” to meet this static load test.

The ½” does not meet the 500lb static load test with or without the ABYC collar

Features Continued



Models

Internal diameter	BSP Thread	
	Part #	Description
19mm [$\frac{3}{4}$ "]	90473	Ball Valve Position Monitored $\frac{1}{2}$ " BSP
	90277	Ball Valve Position Monitored $\frac{3}{4}$ " BSP
	90243	Ball Valve Position Monitored 1" BSP
32mm [$1\frac{1}{4}$ "]	90239	Ball Valve Position Monitored $1\frac{1}{4}$ " BSP
	90236	Ball Valve Position Monitored $1\frac{1}{2}$ " BSP
52mm [2"]	90474	Ball Valve Position Monitored 2" BSP

Internal diameter	NPS Thread	
	Part #	Description
19mm [$\frac{3}{4}$ "]	91219	Ball Valve Position Monitored $\frac{1}{2}$ " NPS
	91220	Ball Valve Position Monitored $\frac{3}{4}$ " NPS
	91221	Ball Valve Position Monitored 1" NPS
32mm [$1\frac{1}{4}$ "]	91222	Ball Valve Position Monitored $1\frac{1}{4}$ " NPS
	91223	Ball Valve Position Monitored $1\frac{1}{2}$ " NPS
52mm [2"]	91224	Ball Valve Position Monitored 2" NPS

Ball Valves are supplied with spanner and installation instructions

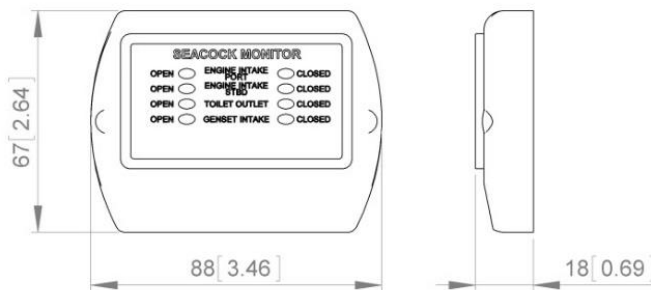
Weight

Internal Diameter	Thread Size	Weight (g)	Weight (oz)
19mm [$\frac{3}{4}$ "]	$\frac{1}{2}$ ", $\frac{3}{4}$ ", 1"	350	12.3
32mm [$1\frac{1}{4}$ "]	$1\frac{1}{4}$ ", $1\frac{1}{2}$ "	500	17.6
52mm [2"]	2"	750	26.4
90412 Panel Display Ball Valve		230	8.1

Display Panel

- The Ball Valve Display Panel is supplied with the following.
 - Installation instructions
 - 2 x hook-up wire with connector – 2.5m (8.2')
 - Mounting screws and covers.
 - Sticker Sheet with the following options

AIRCON INTAKE	ENGINE INTAKE	HOLDING TANK OUTLET PORT	TOILET INTAKE STABD
BAIT TANK INTAKE	ENGINE INTAKE PORT	HOLDING TANK OUTLET STBD	TOILET OUTLET
BLACK WATER OUTLET	ENGINE INTAKE STBD	SALTWATER WASH INTAKE	TOILET OUTLET AFT
BLACK WATER OUTLET AFT	GENSET INTAKE	TOILET INTAKE	TOILET OUTLET FWD
BLACK WATER OUTLET FWD	HOLDING TANK OUTLET	TOILET INTAKE AFT	TOILET OUTLET PORT
BLACK WATER OUTLET PORT	HOLDING TANK OUTLET AFT	TOILET INTAKE FWD	TOILET OUTLET STBD
BLACK WATER OUTLET STBD	HOLDING TANK OUTLET FWD	TOILET INTAKE PORT	WATERMAKER INTAKE



Part #	Description
90412	Panel Display Ball Valve

The Position Monitoring function switches state when the Ball Valve is in the open position.



BLACK = Valve closed
RED = Supply (10-32V) 520mAh MAX
GREEN = Valve open

Thread Sealing

For Thread Sealing Instruction go to our Technical Information Sheet on the TruDesign Website – Scan QR Code



Fitting

Ensure the skin fitting (Thru Hull) and ball valve location enables full operation of the valve handle. See also our info sheet on TRUDESIGN skin fitting installation.

Screw Ball Valve onto the skin fitting (Thru Hull) using the correct Ball Valve Spanner (available from TRUDESIGN), or another appropriate tool. Tighten to a maximum of 16Nm (12ft/lbs).

Check that the final position of the Ball Valve is such that it allows full movement of the handle from the open to closed position, and that it is clear of objects which may cause inadvertent operation.

Note: The connecting threads on each end of the Ball Valves are a parallel thread form. The advantage of parallel threads over tapered is that there is maximum engagement between the mating threads providing a strong and watertight seal. Mixing parallel and tapered threads can cause strength and sealing problems as the engagement can in some cases be only a few turns.

Replacement “T” and “Lever” Handles

Part #	Description
91038	Replacement “T” handle Small – 25mm,19mm,13mm (1”, ¾”, ½”)
91040	Replacement 'T' Handle Large – 50mm-38mm-32mm (2”, 1½”, 1¼”)
91155	Replacement Lever Handle Small 25mm-19mm-13mm (1”, ¾”, ½”)
91156	Replacement Lever Handle Large 50mm-38mm-32mm (2”, 1½”, 1¼”)



Ball Valve Spanner

90476	Spanner / Wrench Ball Valve ½" PKG
90477	Spanner / Wrench Ball Valve ¾" & 1" PKG
90478	Spanner / Wrench Ball Valve 1¼" & 1½" PKG
90479	Spanner / Wrench Ball Valve 2" PKG

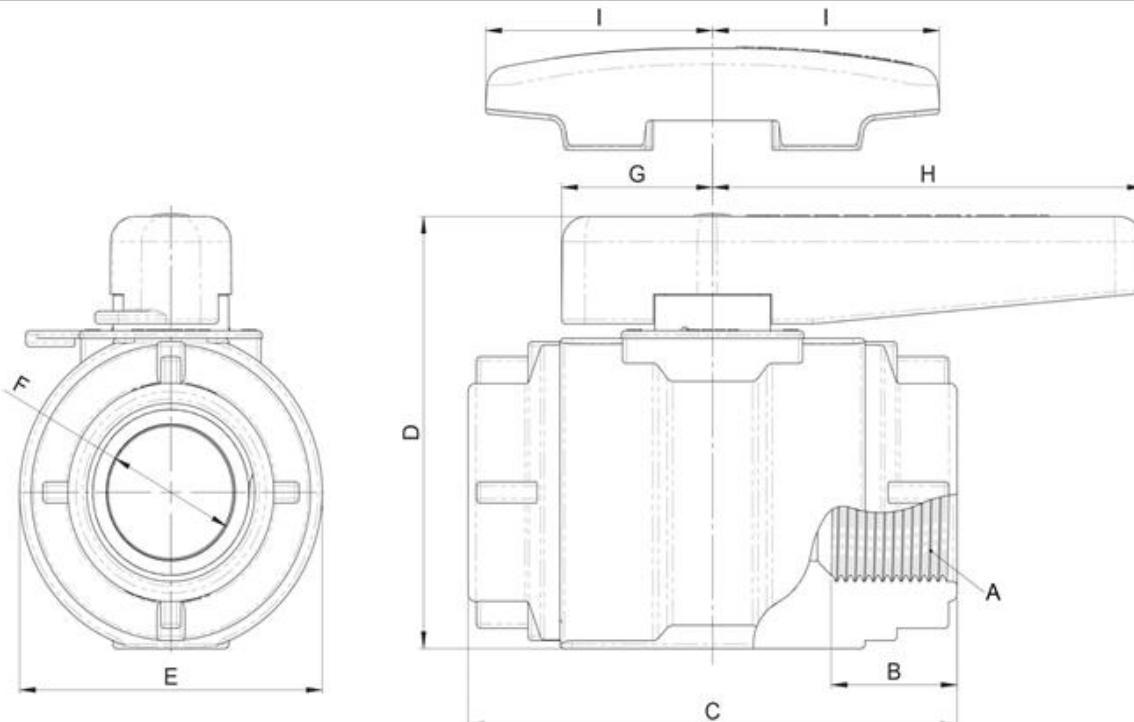


Ball Valve Handle Tag – Identification Tags are available that easily fit onto the Lever Handles. See Separate Product Information Sheet.



Dimensions

A Size	B Length		C Length		D Height		E Width		F Minimum Internal Ø		Lever Handle			T-Handle		
											G	H		I		
½"	25	1"	102mm	4"	88mm	3 4/9"	61mm	2 3/8"	20mm	3/4"	32mm	1 1/4"	93mm	3 2/3"	50mm	2"
¾"	22mm	6/7"	102mm	4"	88mm	3 4/9"	61mm	2 3/8"	20mm	3/4"	32mm	1 1/4"	93mm	3 2/3"	50mm	2"
1"	22mm	6/7"	102mm	4"	88mm	3 4/9"	61mm	2 3/8"	20mm	3/4"	32mm	1 1/4"	93mm	3 2/3"	50mm	2"
1¼"	32mm	1 1/4"	122mm	4 4/5"	102mm	4"	76mm	3"	32mm	1 1/4"	38mm	1 1/2"	108mm	4 1/4"	57mm	2 1/4"
1½"	32mm	1 1/4"	122mm	4 4/5"	102mm	4"	76mm	3"	32mm	1 1/4"	38mm	1 1/2"	108mm	4 1/4"	57mm	2 1/4"
2"	32mm	1 1/4"	141mm	3"	124mm	4 6/7"	99mm	3 7/8"	48mm	1 8/9"	38mm	1 1/2"	108mm	4 1/4"	57mm	2 1/4"



The information contained in this information sheet is for general information purposes only. The information is provided by TruDesign™ and while we endeavour to keep the information up to date and correct, we make no representations or warranties of any kind, express or implied, about the completeness, accuracy, reliability, suitability or availability. Any reliance you place on such information is therefore strictly at your