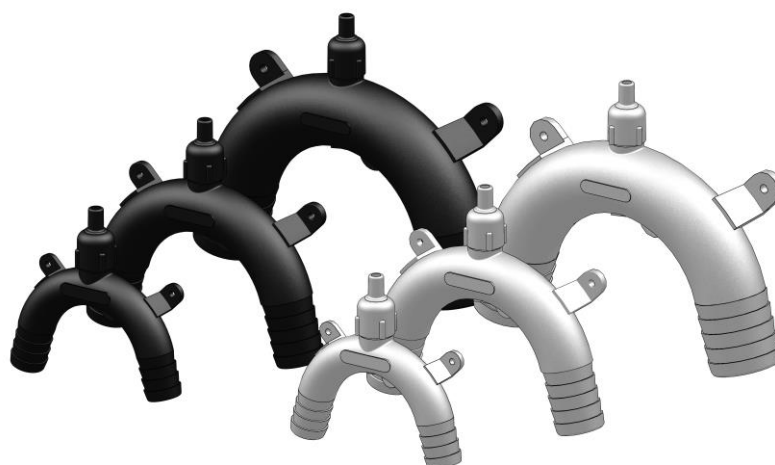


## VENTED LOOPS

Designed and made in New Zealand, TruDesign Vented Loops are the superior composite siphon break solutions for marine applications. Vented Loops prevent water siphoning from underwater skin fittings back into a vessel and thereby guard against accidental flooding and sinking.



Truedesign vented loops are used predominantly in toilet to overboard applications, toilet inlet applications and holding tank to overboard applications.

The simple one-way breather valve at the top of the vented loop allows air to enter the line when not in use, thereby preventing siphoning - and yet seals when water or waste passes through the loop. The duckbill one way valve is designed to seal even when particles are present in the fluid.

### MODELS

Part #	Description
90319	Vented Loop 19mm White
90321	Vented Loop 25mm White
90323	Vented Loop 38mm White
90318	Vented Loop 19mm Black
90320	Vented Loop 25mm Black
90322	Vented Loop 38mm Black

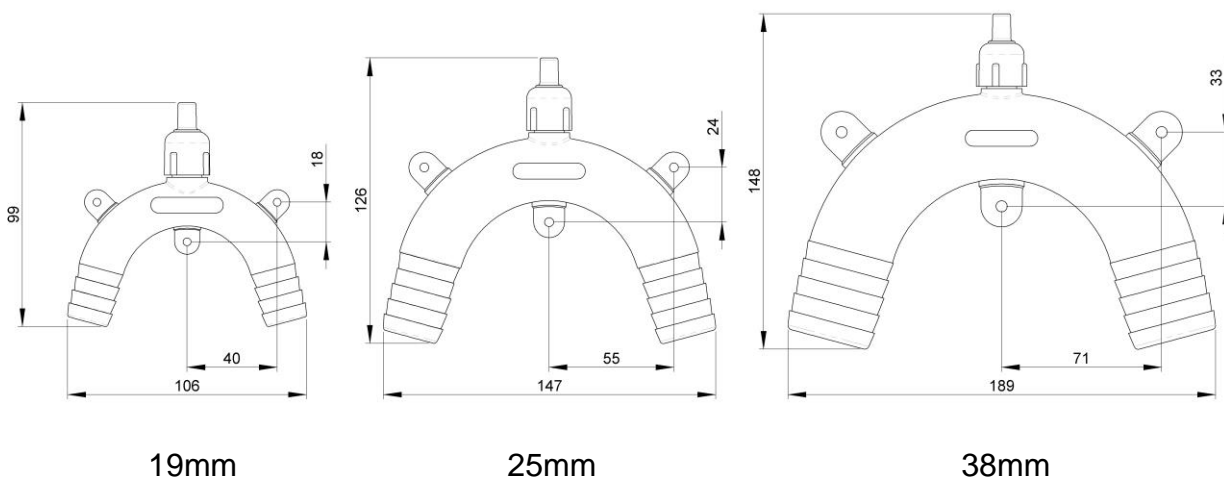


## KEY FEATURES

Feature:	
Silicone duck bill valve	Long life with no perishing or hardening.
Constant internal diameter	No reduction in flow
Self-contained mounting	3 screw mounting posts give secure and easy installation.
Chemical resistant	Impervious to diesel, petrol, and antifouling paints.
UV resistant	These fittings will not break down with ultraviolet light or discolour from the sun.
High quality surface finish	Will not discolour with green film as similar bronze fittings do.
Large operating temperature range	Suitable for all marine environments, from -40°C to +110°C.

## DIMENSIONS

All dimensions in mm. All dimensions nominal.



## INSTALLATION

Full installation instructions are supplied with the Vented Loop.

It is recommended that all Vented Loops are placed in a protected location to minimize the chance of inadvertent damage.

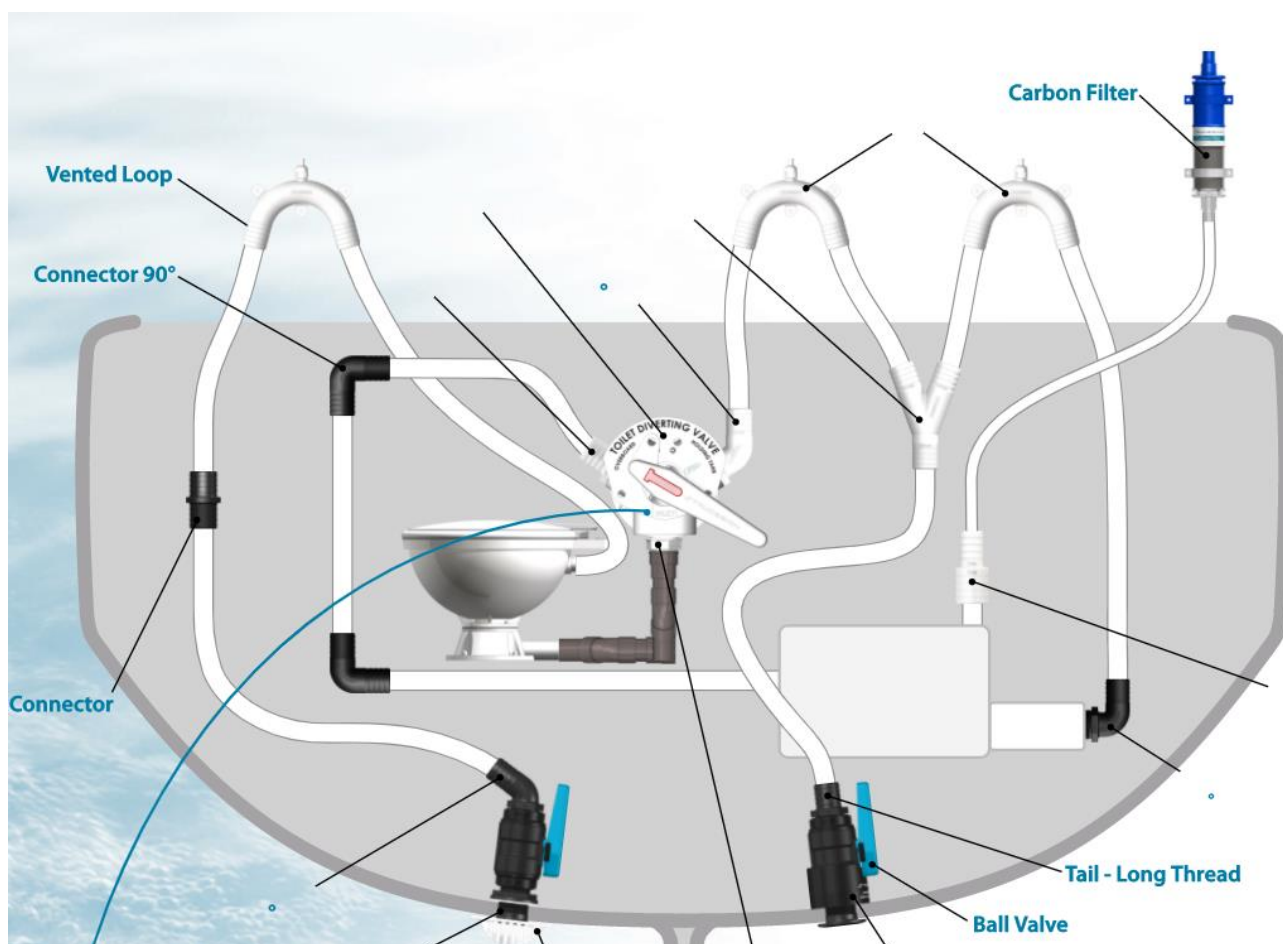
The Vented Loop should be mounted a minimum of 250mm (1') above the heeled water line. If mounted below the waterline, the vented loop will not leak, but will not provide any protection.

The vented loop should be screwed to a bulkhead or other robust structure using the integral feet.

Dual hose clamps should be fitted to ensure the hose does not become disengaged from the Vented Loop.

For Electric Toilet applications a Solenoid controlled Vented Loop should be used as this allows the vent to be switched to fully closed during flush cycle. Allowing greater flow of water by eliminating air entering the system when an electric toilet is in flush mode. The solenoid used is normally open, requiring power only to close the valve. See Product Information sheet – Vented Loop with Solenoid.

## TYPICAL INSTALLATION



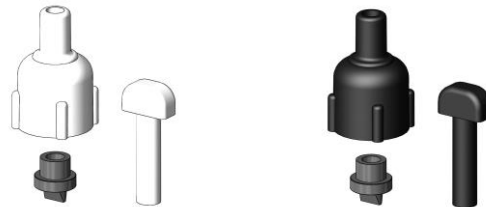
## SERVICING

Check sanitation hoses for scale build up as this often will point to scale build up in the vented loop. Flushing the toilet system with vinegar helps remove scale.

Hose clamps should be checked for secure connection of the hoses to the Vented Loop.

Regular checks of the functioning of the duck bill valve should be conducted. Unscrew the cap and remove the valve. Inspect the valve for damage. Check the port in the top of the vented loop for blockages and clear if required. Gently squeezing the sides of the valve should open a hole in the valve.

If the valve is damaged, a service kit is available. The service kit contains a spare valve, cap and a pin for clearing the port in the top of the vented loop.



Part #	Description
90325	Spare Parts Vented Loop White
90324	Spare Parts Vented Loop Black

The information contained in this information sheet is for general information purposes only. The information is provided by TruDesign™ and while we endeavour to keep the information up to date and correct, we make no representations or warranties of any kind, express or implied, about the completeness, accuracy, reliability, suitability or availability. Any reliance you place on such information is therefore strictly at your own risk.